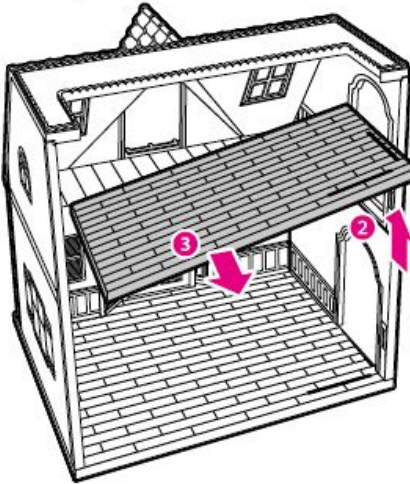
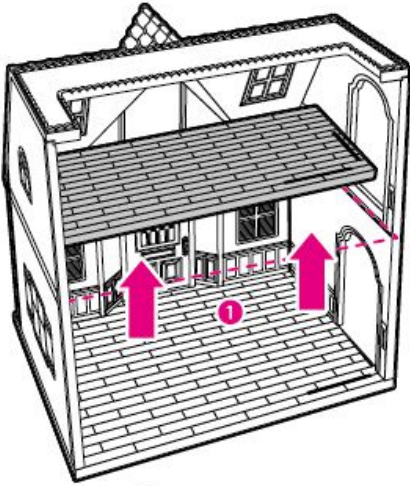
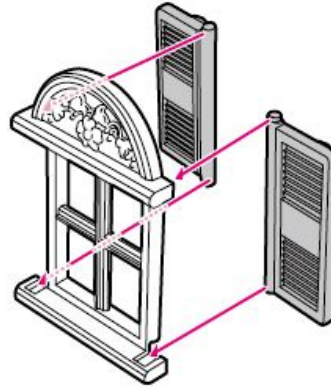


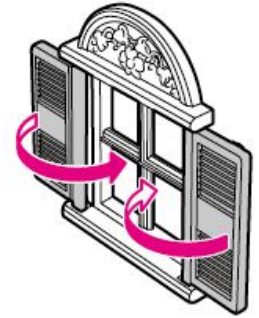
How to remove the 2nd floor



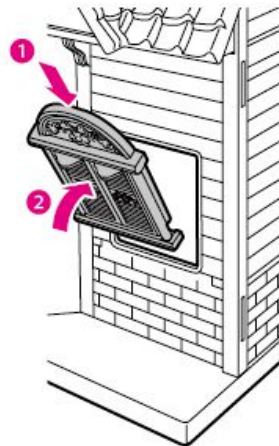
Attach the window shutters



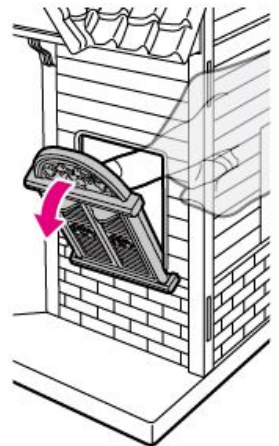
Open and close the window shutters



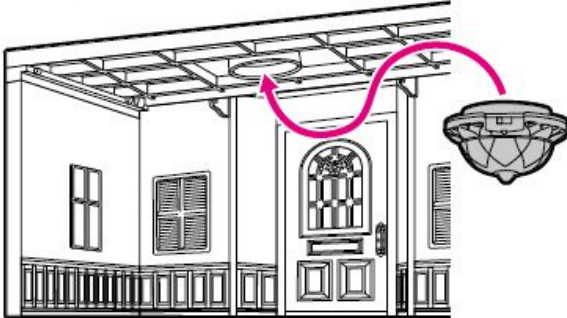
Attach the window



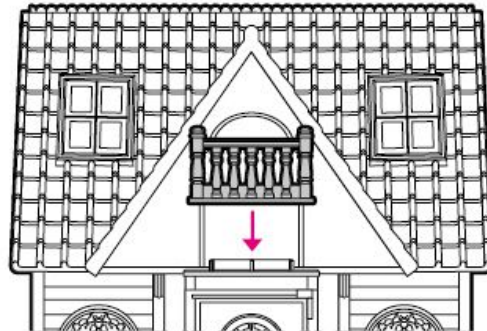
Remove the window




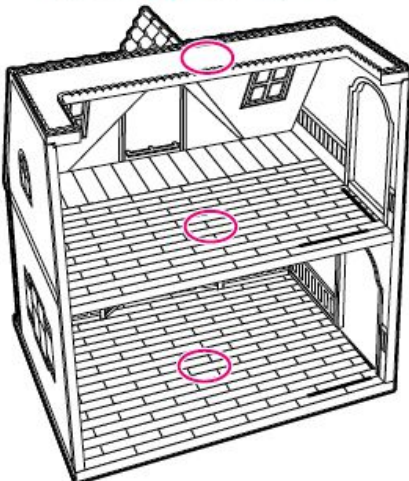
Insert the light from the Light & Curtains Set (sold separately) into the slot as shown on the diagram.




Attach the balcony railing as shown.



Insert the light under any of the 3 circled positions  on the diagram.



Attach the floor railing in any of the circled positions  in the diagram

